

GPT-203

INDOOR



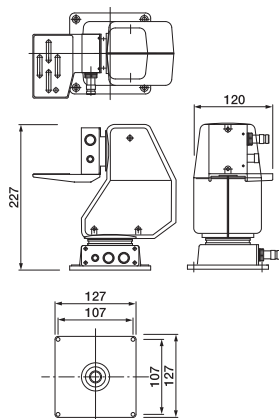
KEY FEATURES

- Indoor Medium Pan/Tilt Driver
- Maximum load 6 kg
- Auto-Pan with panning limit
- Wall mount bracket (HSB-103, Option)

SPECIFICATIONS

Application	Indoor	
Angle Range	Pan	Maximum 355°
	Tilt	-75° ~ +75°
Angle Speed	Pan	4.8°/sec.
	Tilt	2.4°/sec.
Load	Maximum 6 kg	
Power Source	AC 220V	
Power Consumption	Pan : 3W, Tilt : 3W	
Operating Temperature	-20°C ~ +50°C	
Operating Humidity	Maximum 90 % RH	
Dimensions	127(W)x227(H)x120(D) mm	
Weight	2.5 kg	
Material	ABS, Aluminum Die casting	
Color	Light Gray, Enamel	

DIMENSIONS



(Unit : mm)

GPT-201

GPT-201-110 AC110V
GPT-201-220 AC220V



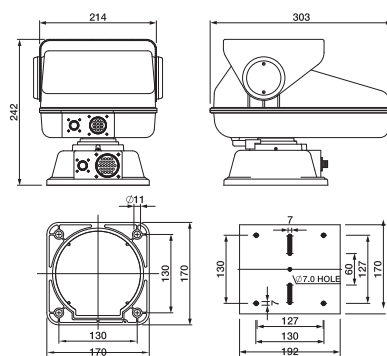
KEY FEATURES

- Outdoor Weather proof Heavy Weight Pan/Tilt Driver (IP54)
- Maximum load 30 kg
- No corrosion or no discoloration through Powder coating

SPECIFICATIONS

Application	Outdoor	
Angle Range	Pan	Maximum 355°
	Tilt	-70° ~ +20°
Angle Speed	Pan	7.2°/sec.
	Tilt	3.6°/sec.
Load	Maximum 30 kg	
Power Voltage	AC110V/220V, 50/60Hz	
Power Consumption	Pan : 6W, Tilt : 15W	
Operating Temperature	-25°C ~ +50°C	
Operating Humidity	Maximum 95 % RH	
Dimensions	184(W)x282(H)x313(D) mm	
Weight	10 kg	
Material	Aluminum Die casting	
Color	Light Gray	

DIMENSIONS



(Unit : mm)

GPT-350

GPT-350-110 AC110V
GPT-350-220 AC220V
GPT-350-220PP AC220V, PRESET



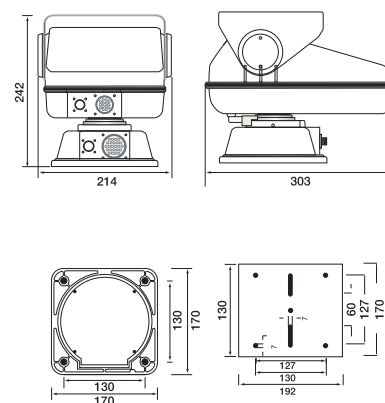
KEY FEATURES

- Outdoor Weather proof Medium Pan/Tilt Driver
- Maximum load 30 kg
- Preset (GPT-350-220PP)

SPECIFICATIONS

Application	Outdoor	
Angle Range	Pan	Maximum 350°
	Tilt	-70° ~ +20°
Angle Speed	Pan	6°/sec.
	Tilt	4°/sec.
Load	Maximum 30 kg	
Power Voltage	AC220V, 50/60Hz	
Power Consumption	Pan : 25.3W, Tilt : 25.3W	
Operating Temperature	-25°C ~ +60°C	
Operating Humidity	Maximum 90 % RH	
Dimensions	214(W) x 242(H) x 303(D) mm	
Weight	8.2 kg	
Material	ABS, Aluminum Die casting	
Color	Light Gray, Enamel	

DIMENSIONS



(Unit : mm)